

LABEL Z-Mount™

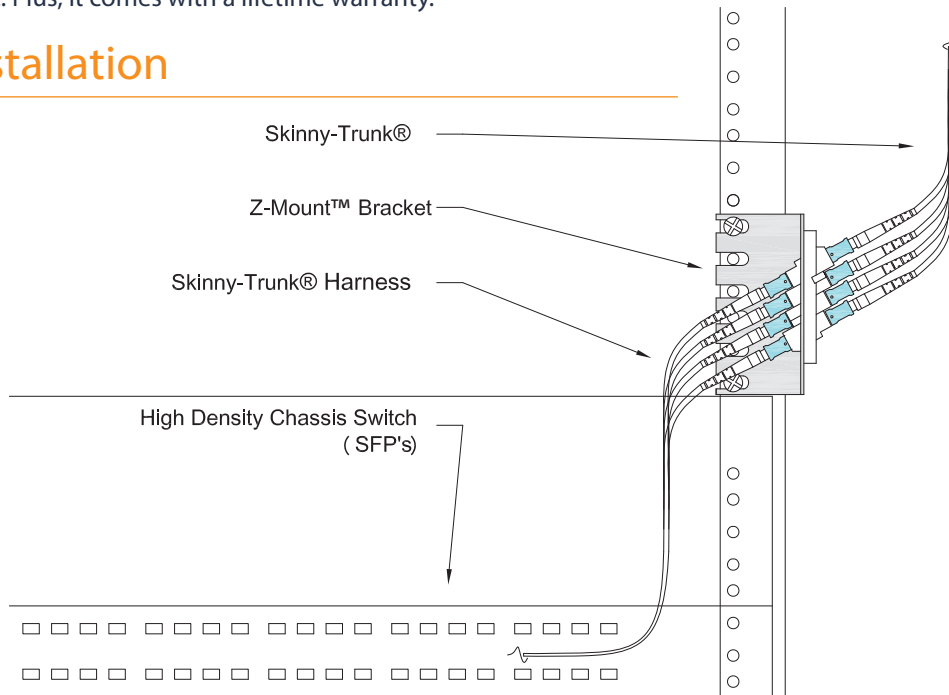
CABLEExpress®

The CABLEExpress® Z-Mount™ with MTP® is a universal mounting bracket that fits any standard rack spacing. No specific cabinet or rack is needed to fit the Z-Mount bracket. Its molded MTP® couplers offer maximum routing flexibility and are engineered for precision mating that far exceeds industry dB loss performance standards. Whether your trunks come from under floor or overhead, its couplers are field-reversible to further assist with cable management. It's available in six versions: 4-port, 8-port and 12-port with MTP® couplers on either the left or right. Plus, it comes with a lifetime warranty.

Features

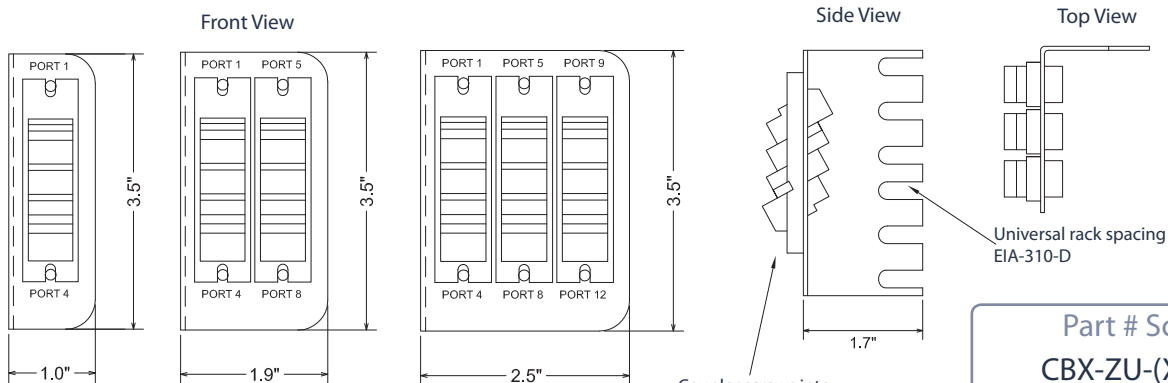
- Universal mounting – fits any standard rack spacing
- Available in 4-, 8- and 12-port MTP® (left and right)
- Molded MTP® couplers precision engineered for superior mating
- Couplers field-reversible to assist with cable management
- Fully compatible with Skinny-Trunk® harnesses

Z-Mount Installation



Densities and Mounting Configurations

Available in (3) densities and left or right mounting configurations.



Part # Schematic

CBX-ZU-(XX)(X)MPK

04 = 4 MTP
08 = 8 MTP
12 = 12 MTP

L = Left side mount
R = Right side mount

For all your connectivity needs contact us today at **800 913 9465** or **cables@cablexpress.com**