

# LABEL Z-Mount

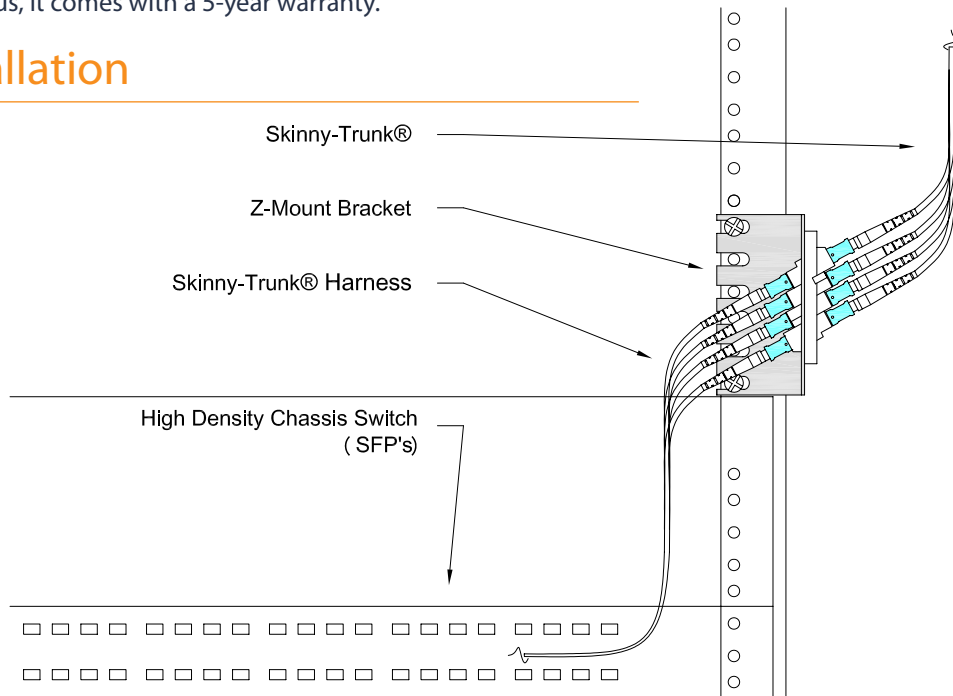
**CABLEExpress®**

The CABLEExpress® Z-Mount is a universal mounting bracket that fits any standard rack spacing. No specific cabinet or rack is needed to fit the Z-Mount bracket. Its molded MTP® couplers offer maximum routing flexibility and are engineered for precision mating that far exceeds industry dB loss performance standards. Whether your trunks come from under floor or overhead, its couplers are field-reversible to further assist with cable management. It's available in six versions: 4-port, 8-port and 12-port with MTP® couplers on either the left or right. Plus, it comes with a 5-year warranty.

## Features

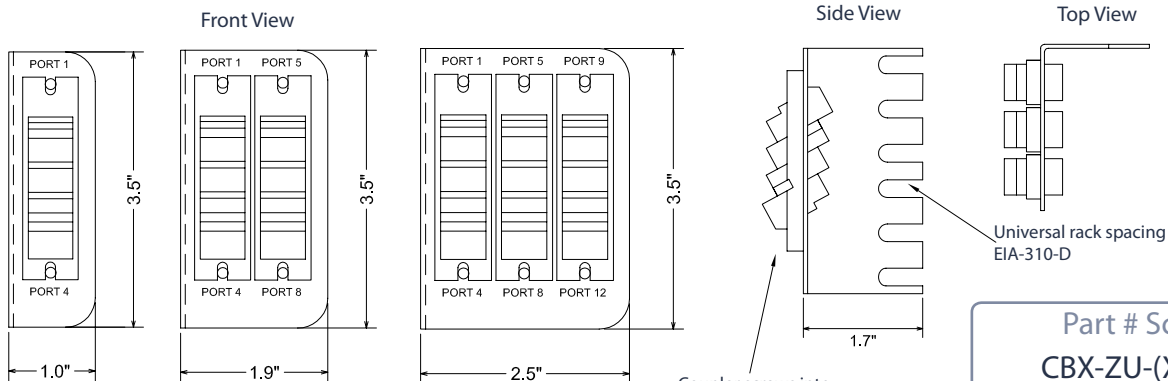
- Universal mounting – fits any standard rack spacing
- Available in 4-, 8- and 12-port MTP® (left and right)
- Molded MTP® couplers precision engineered for superior mating
- Couplers field-reversible to assist with cable management
- Fully compatible with Skinny-Trunk® harnesses

## Z-Mount Installation



## Densities and Mounting Configurations

Available in (3) densities and left or right mounting configurations.



Coupler screws into bracket and can be oriented up or down.

**Part # Schematic**  
**CBX-ZU-(XX)(X)MPK**  
 04 = 4 MTP                      L = Left side mount  
 08 = 8 MTP                      R = Right side mount  
 12 = 12 MTP

For all your connectivity needs contact us today at **800 913 9465** or **cables@cablexpress.com**