

# Copper Trunk Assembly



The ideal way to create a standards-based, flexible, and reliable copper platform in your data center. CABLEExpress® copper trunk cables are the highly customizable solution for your connectivity needs.

Traditional installation, termination, and testing can add costly man-hours to data center projects. This assembly facilitates easy moves, adds and changes. The simplicity of its design allows existing staff to install the trunking system, thereby avoiding any potential security risks involved with bringing in outside personnel.

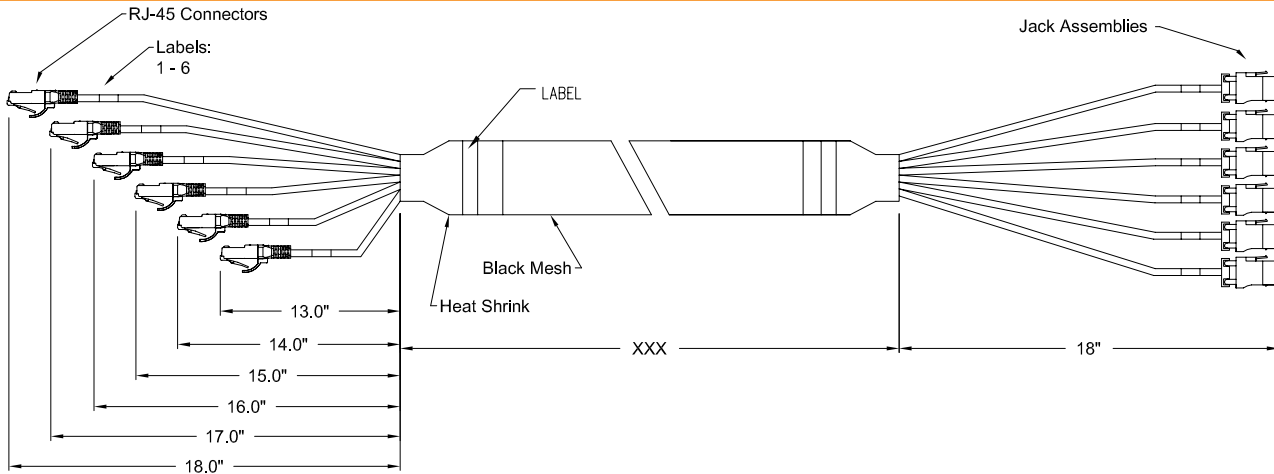
Like all CABLEExpress® cables, our copper trunk assembly comes backed by a lifetime warranty.

For the critical install, there's simply no better choice to minimize downtime, maximize productivity, and deploy a reliable, easy-to-use copper trunking system.

## Order Options

- Available in CAT5E or CAT6
- Riser or plenum rated (both cable and mesh)
- Customizable lengths from 10 to 295 feet in 1 ft. increments
- Terminations of RJ45 plug or jack
- Length of breakout from 12 to 48 inches
- Staggered breakouts

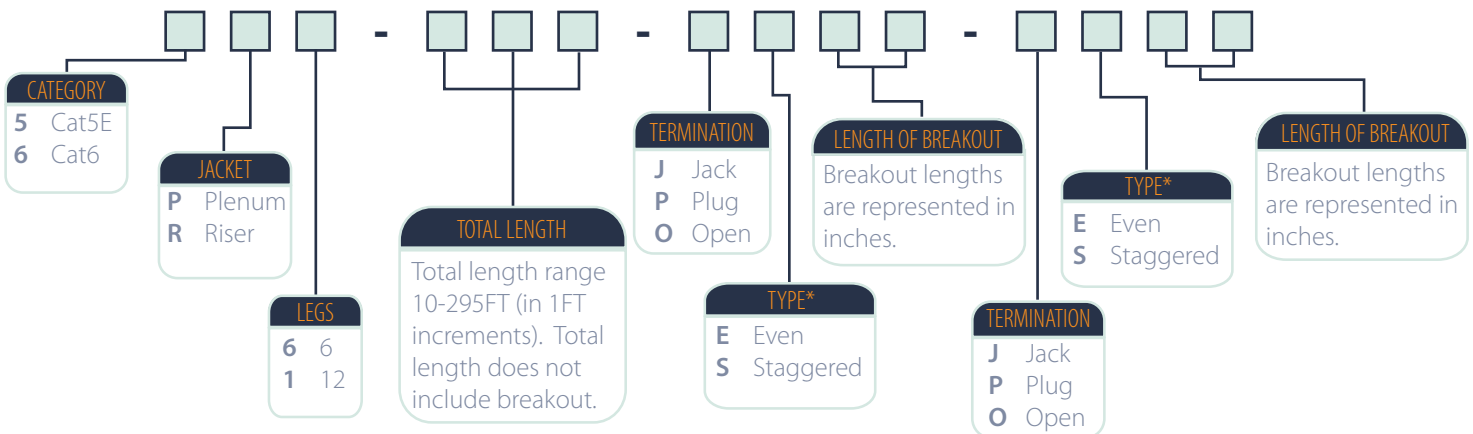
## Copper Trunk Assembly



## Copper Trunk Part Number Format

### Sample Part Number:

6R6-125-JE18-PS18 = 125ft CAT6 riser jacket 6 leg trunk with jacks 18" even breakout and plugs 18" stagger



For all your connectivity needs contact us today at **800 913 9465** or **cables@cablexpress.com**

# Modular Patch Panels



Along with our copper trunk assembly, our CABLEExpress® modular patch panels are the ideal way to create a standards-based, flexible, and reliable copper platform in your data center. CABLEExpress copper trunk cables are the highly customizable solution for your connectivity needs. And our 1U and 2U modular patch panels are the perfect complement to further facilitate your ease of installation, and optimal flow of information.

Traditional installation, termination, and testing can add costly man-hours to data center projects. Our copper assembly with corresponding patch panels facilitates easy moves, adds and changes. Plus, the panels feature high density for maximum space usage in racks and cabinets.

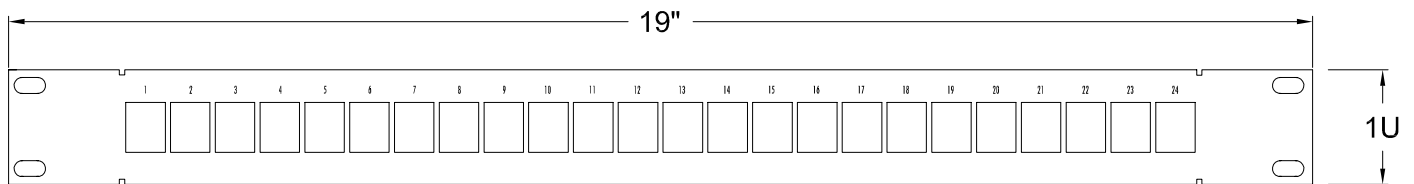
For the critical install, there's simply no better choice to minimize downtime and maximize productivity than to deploy a reliable, easy-to-use CABLEExpress copper trunking system complete with modular patch panels.

## Panel Features

- 1U accepts 24 panel mount jacks
- 2U accepts up to 72 panel mount jacks
- Sturdy metal construction
- Numbered ports for easy identification
- Universal 19 inch rail spacing
- Lifetime Warranty

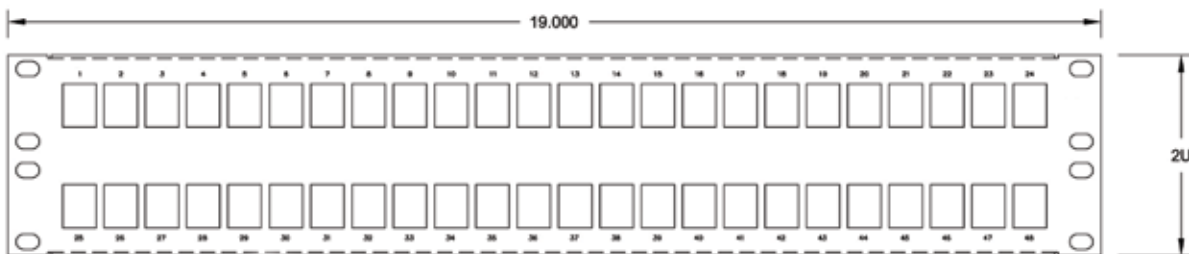
## 1U Faceplate

CX# 246702: 1U 24 PORT UNLOADED MODULAR PATCH PANEL FOR CABLEExpress COPPER TRUNK

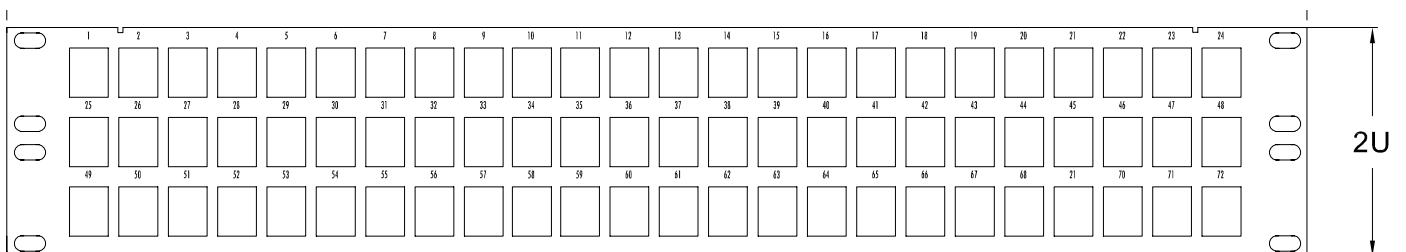


## 2U Faceplate

CX# 249331: 2U 48 PORT UNLOADED MODULAR PATCH PANEL FOR CABLEExpress COPPER TRUNK



CX# 246701: 2U 72 PORT UNLOADED MODULAR PATCH PANEL FOR CABLEExpress COPPER TRUNK



For all your connectivity needs contact us today at **800 913 9465** or [cables@cablexpress.com](mailto:cables@cablexpress.com)